



DEPARTMENT OF WATER SUPPLY • COUNTY OF HAWAI'I

345 KEKŌANAŌ'A STREET, SUITE 20 • HILO, HAWAI'I 96720

TELEPHONE (808) 961-8050 • FAX (808) 961-8657

DEPARTMENT OF WATER SUPPLY
COUNTY OF HAWAI'I
HILO, HAWAI'I

ADDENDUM NO. 1

JOB NO. 2019-1105

INVITATION FOR BIDS

FOR THE

KA'AUHUUH #2 BOOSTERS A, B & C REPAIR

DISTRICT OF NORTH KOHALA

County of Hawai'i – State of Hawai'i

The following revisions and changes shall be made a part of the contract bidding documents:

Changes to **APPENDICES:**

ADD the attached Appendix 5 and 6 to the Appendix Section of this IFB.

BY AUTHORITY OF THE DEPARTMENT OF
WATER SUPPLY COUNTY OF HAWAI'I

Date: October 1, 2020

By: 
Keith K. Okamoto, P.E., Manager-Chief Engineer

Please sign and return immediately to the Manager-Chief Engineer of the Department of Water Supply.

Receipt of a copy of **ADDENDUM NO. 1** for JOB NO. 2019-1105, KA'AUHUUH #2 BOOSTERS A, B & C REPAIR, District of North Kohala, County of Hawai'i, State of Hawai'i, is hereby acknowledged.

NAME OF BIDDER

Date: _____

By: _____

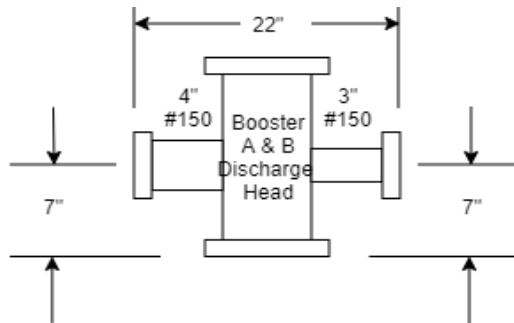
...Water, Our Most Precious Resource...Ka Wai A Kāne...

The Department of Water Supply is an Equal Opportunity provider and employer.

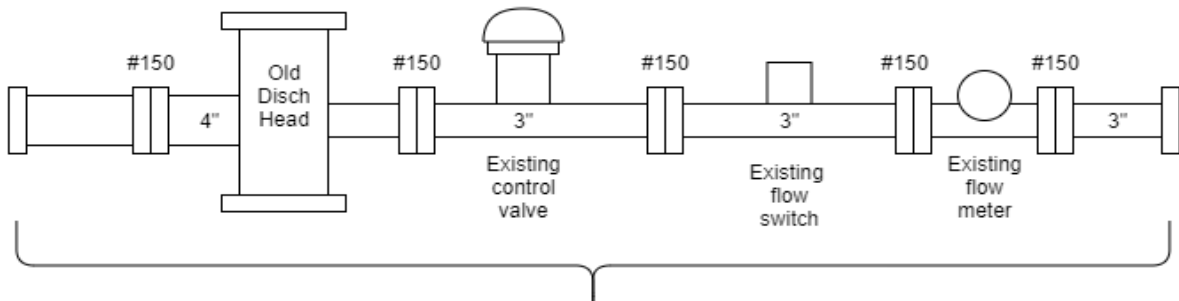
APPENDIX 5 – PIPING REPLACEMENT DETAIL.

JOB NO. 2019-1105 , PROJECT: KAAUHUU #2 BOOSTERS A, B & C REPAIR

REPLACE PIPING FOR BOOSTERS A & B PER DIAGRAM.

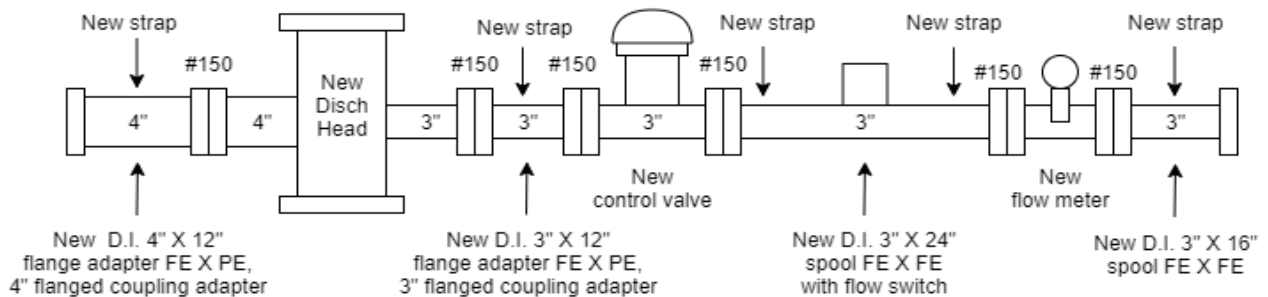


Existing piping configuration, Boosters A & B

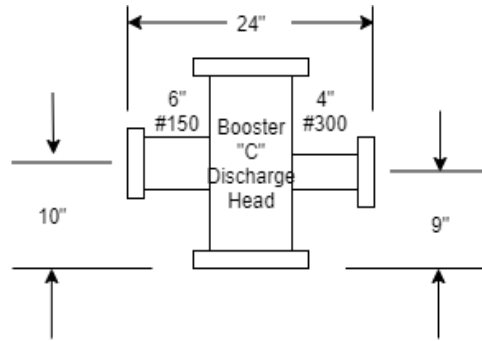


Remove and dispose of discharge head, control valve, flow switch, flow meter and associated piping

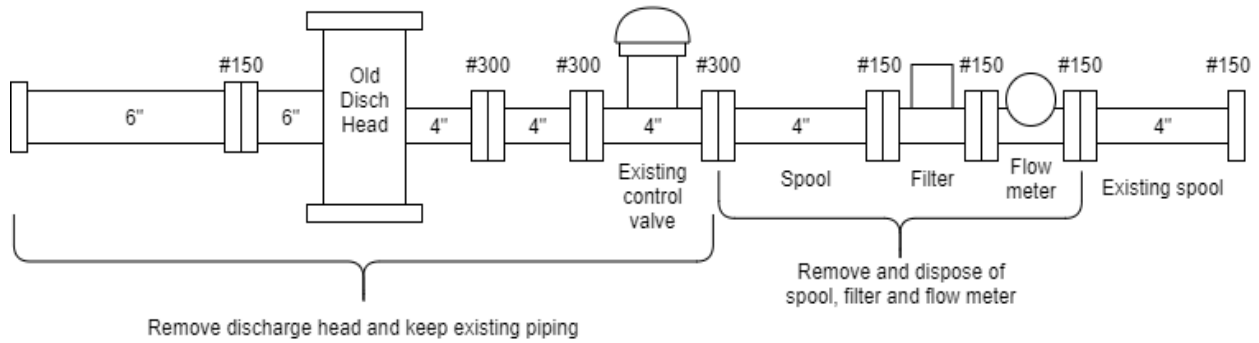
New piping configuration, Boosters A & B



REPLACE PIPING FOR BOOSTER C PER DIAGRAM.



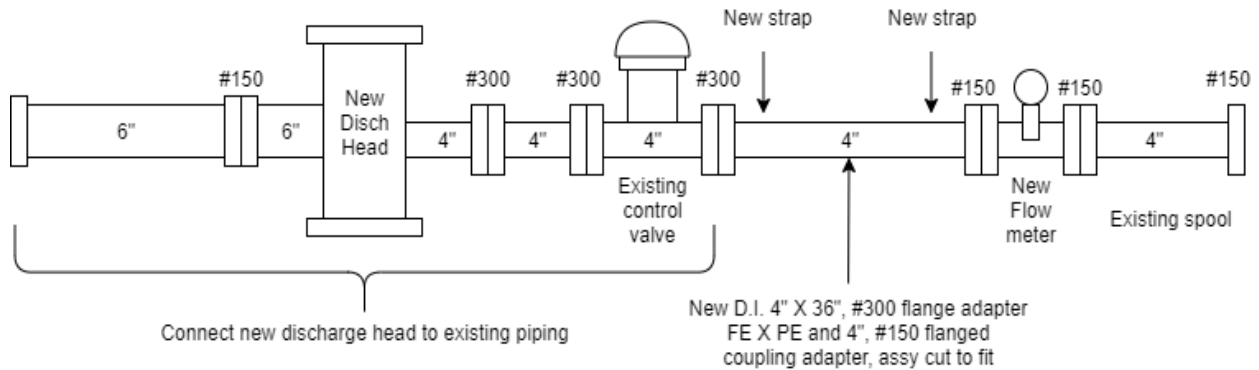
Existing piping configuration, Booster "C"



Remove discharge head and keep existing piping

Remove and dispose of spool, filter and flow meter

New piping configuration, Booster "C"



Connect new discharge head to existing piping

New D.I. 4" X 36", #300 flange adapter
FE X PE and 4", #150 flanged
coupling adapter, assy cut to fit

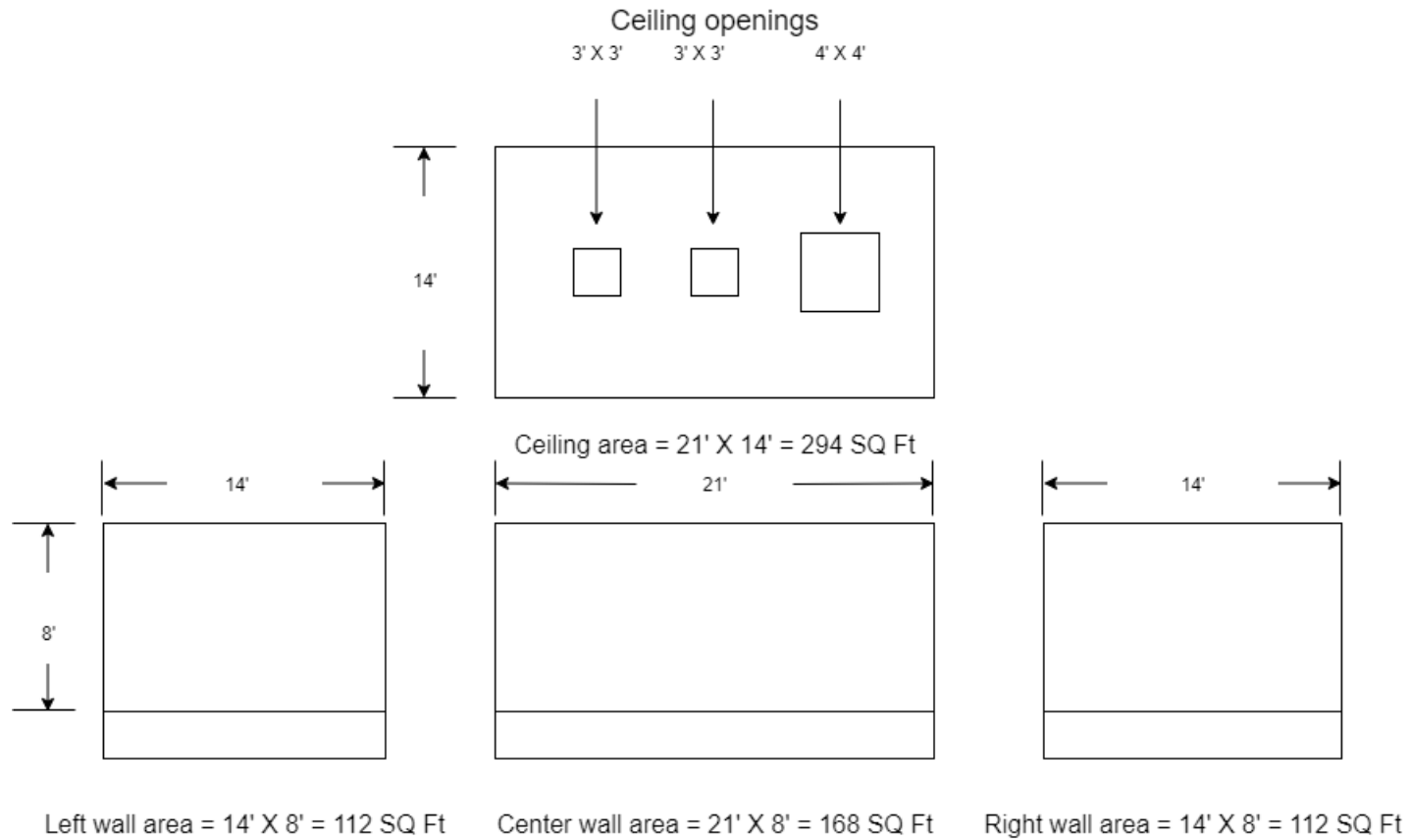




APPENDIX 6 – ACOUSTIC BLANKET REMOVAL AND REPLACEMENT DETAIL.

JOB NO. 2019-1105 **, PROJECT:** KAAUHUUH #2 BOOSTERS A, B & C REPAIR

REMOVE ACOUSTIC BLANKETS AND INSTALL 2” ROCKBOARD 60 PANELS PER DIAGRAM



Total estimated Rockboard 60 coverage = 700 square feet *



Appendix 6:
Piping Replacement Detail
Kaauhuhu #2 Boosters A, B & C Repair

Page 2 of 2 * Actual dimensions shall be verified by Contractor
Addendum No. 1 – October 1, 2020
Job No. 2019-1105